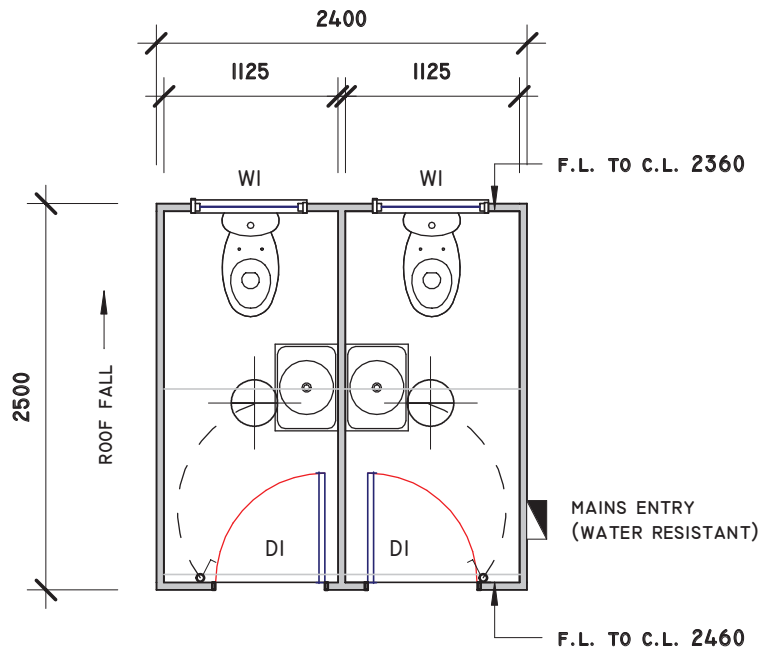


> Toilet Male/Female

2.4m x 2.5m

Plans and images are indicative only. Products may vary according to availability.

1 Floor Plan



2 Perspective



SPECIFICATIONS

- > 50mm external Bondor wall panel
- > 50mm Bondor roof panel on 3 degree pitch
- > 17mm H3.1 T&G plywood flooring on joists at 600 crs.
- > Duragal steel baseframe
- > Vinyl floor covering
- > All glazing to be single glazed
- > W1 - 750w x 400h awning window - obscure glass
- > D1 - 760w panel door w. deadbolt/fortune latch (non-lock)
- > 18w button LED light as shown
- > 120mm coved vinyl
- > 5L stiebel hot water supply under basin
- > Electrical certificate of compliance
- > All light switches & power outlets in wet areas to be waterproof